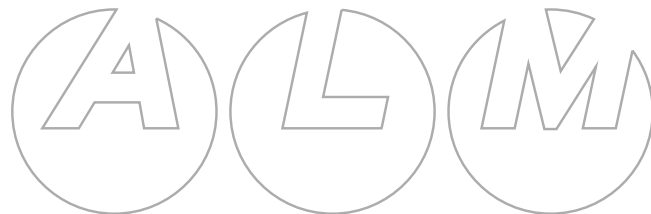


Step RC

PENDANT



SPECIFICATION SHEET

Step RC



Model 1541

Type

P Pendant

Size

24	24.0" [610mm]
28	28.0" [711mm]
32	32.0" [813mm]
36	36.0" [914mm]
48	48.0" [1219mm]

Custom

Wattage ^{1,2}

24"

L 14W (1865lm)
M 28W (3465lm)

28"

L 17W (2265lm)
M 34W (4210lm)

32"

L 20W (2665lm)
M 40W (4955lm)

36"

L 23W (3065lm)
M 46W (5695lm)

48"

L 32W (4265lm)
M 64W (7925lm)

Color Temp ³

30	3000
35	3500
40	4000

Voltage

2 220/240 Volt

Driver

RD Remote
ID Integral

Control - RD

S Non-dim
D010 0-10V
DALI DALI
SWD SwitchDIM
X If integral driver is selected

Control - ID

S Non-dim
D010 0-10V
DALI DALI
SWD SwitchDIM
X If remote driver is selected

Diffuser Bottom

SW Satin opal acrylic

Diffuser Top

CPS Clear polycarbonate -
sanded both sides

Finish ⁴

16 Clear anodized aluminum
21 Painted white - RAL 9010 matte
26 Painted black - RAL 9005 matte
22 Painted custom color

Mounting

SC Straight cables

Power Cable ⁵

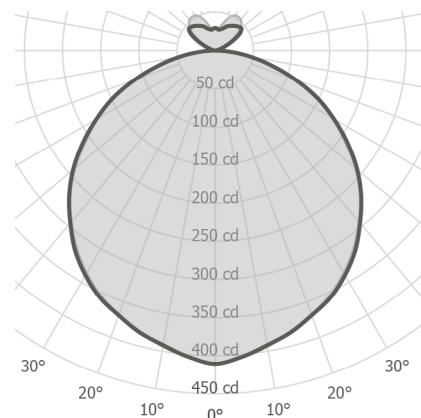
CC Clear insulated cable (standard)
WC White cable
BC Black cable

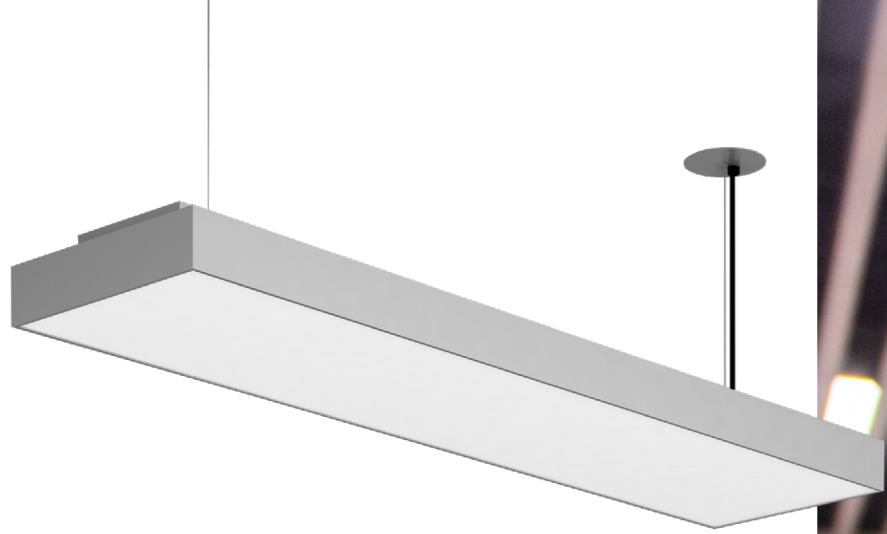
Notes

- 1 Nominal lumens value specified
- 2 Linear LED board, constant voltage
24 Volt
- 3 90+ CRI standard
- 4 Canopy finish matches housing
For Clear anodized aluminum finish,
canopy finish will be painted
anodized aluminum
- 5 96" standard cable length

Example fixture number:

1541 - P - 24 - L - 30 - 2 - ID - X - S - SW -
CPS - 16 - SC - CC





Step RC

PENDANT

The clean choice for architectural spaces. Elegant design and simple technical details are the design principles of the fixture. Extruded aluminum construction and Satin Opal diffuser.



Size	
24	24" [610mm]
28	28" [711mm]
32	32" [813mm]
36	36" [914mm]
48	48" [1,219mm]
Custom	



* 70mm bottom diffuser profile

Step RC

PENDANT



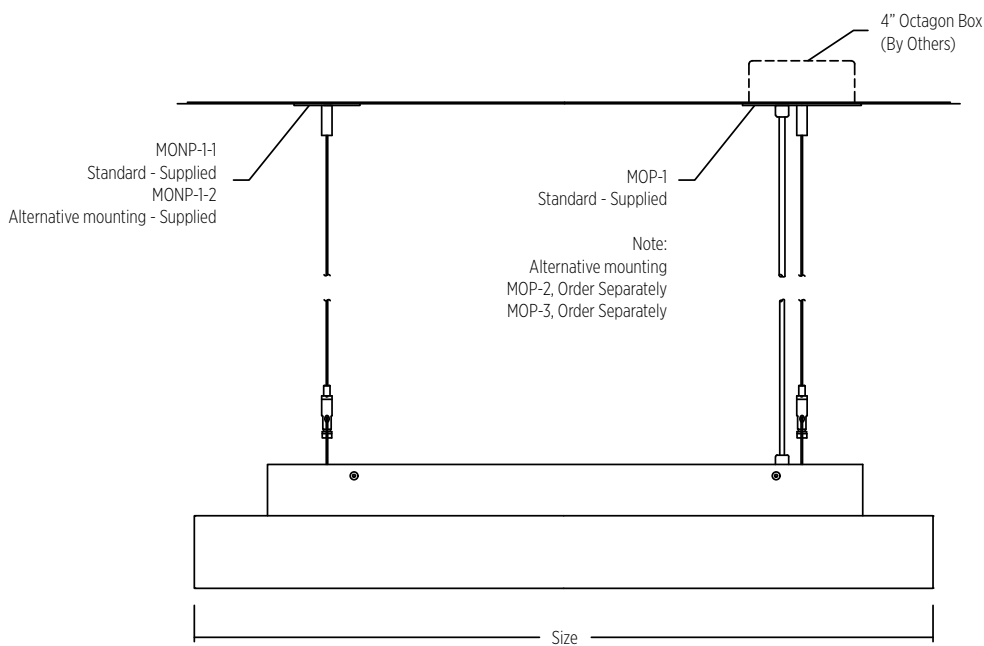
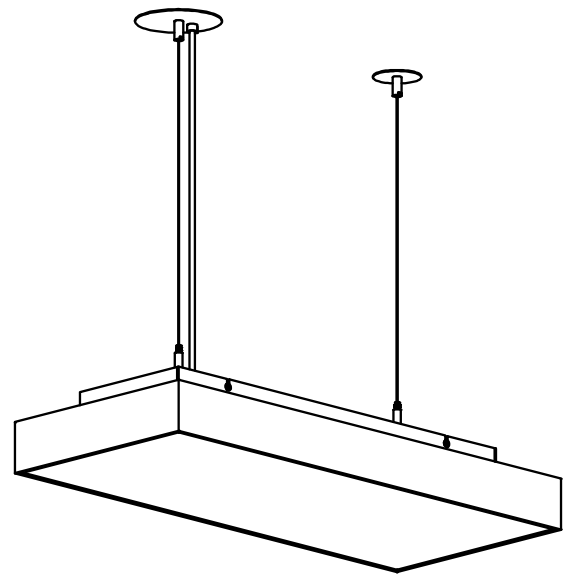
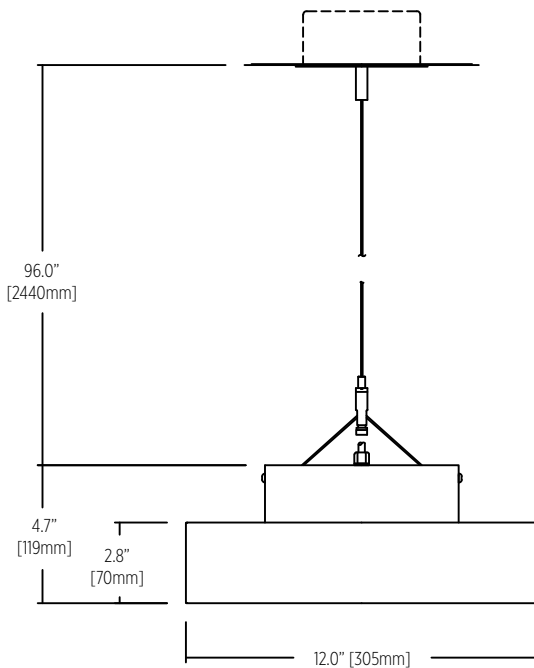
SPECIFICATION SHEET

Step RC



INSTALLATION TYPE

Straight cables with integral driver



Step RC

PENDANT



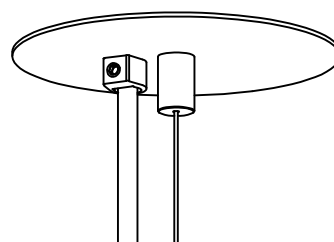
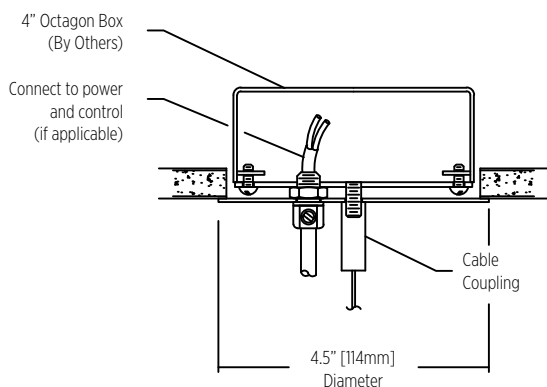
SPECIFICATION SHEET

Step RC



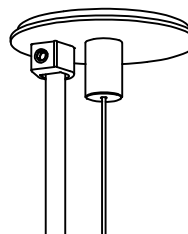
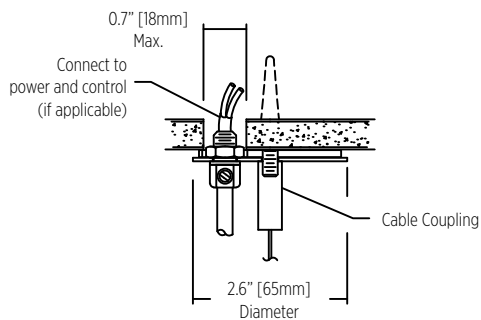
STRAIGHT CABLES MOUNTING OPTION - POWER

MOP-1 Standard - Supplied



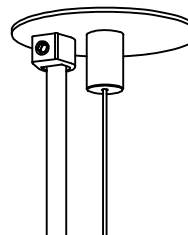
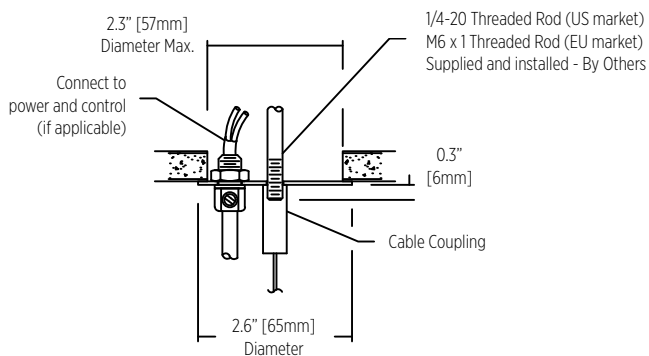
Mounting Option Power 1
Octagon Box (By Others)
Installed in drywall, wood or concrete ceiling

MOP-2-1 Order Separately



Mounting Option Power 2-1
Suspension assembly
Installed in drywall or wood ceiling

MOP-2-2 Order Separately



Mounting Option Power 2-2
Suspension assembly
Installed in drywall or wood ceiling

Step RC

PENDANT

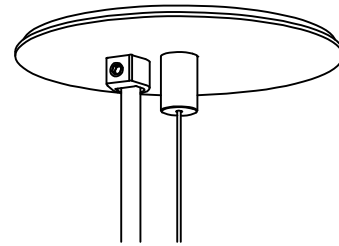
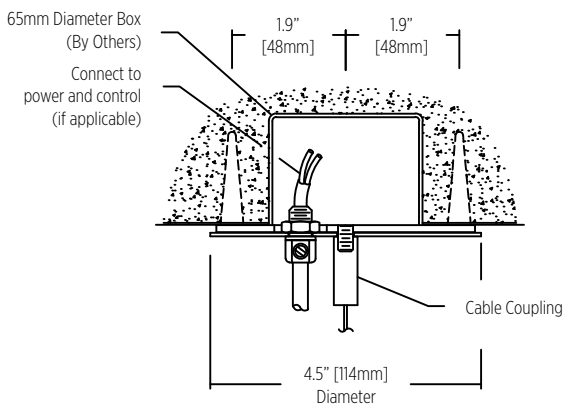


SPECIFICATION SHEET

Step RC



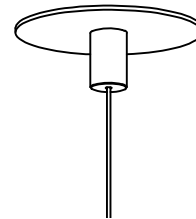
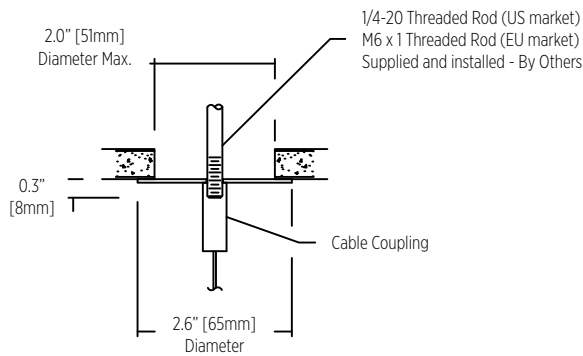
MOP-3 Order Separately



Mounting Option Power 3
65mm Diameter Box (By Others)
Installed in drywall, wood or concrete ceiling

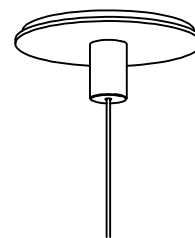
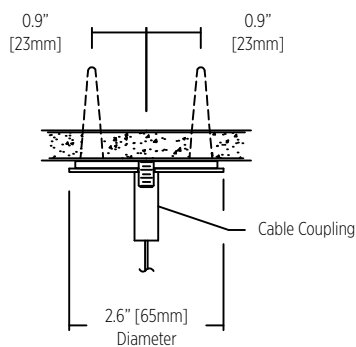
STRAIGHT CABLES MOUNTING OPTION - NON POWER

MONP-1-1 Standard - Supplied



Mounting Option - Non Power
Threaded Rod installed to structural ceiling (By Others)

MONP-1-2 Alternative - Supplied



Mounting Option - Non Power
Suspension Assembly
Installed in drywall, wood or concrete ceiling